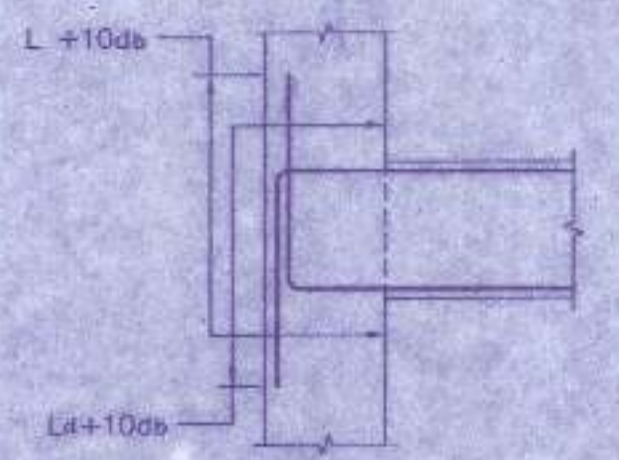
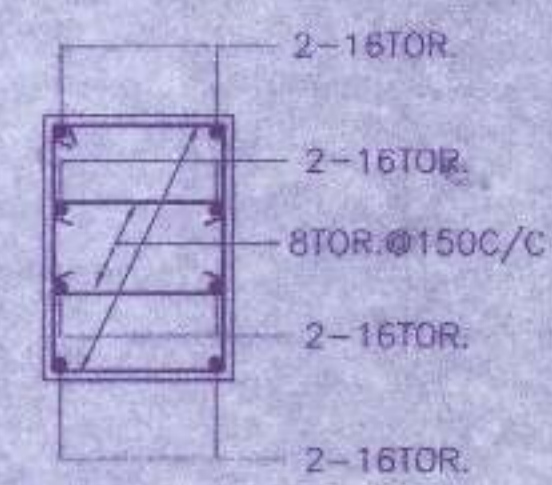


PROJECT-
PROPOSED G+VII STORIED RESIDENTIAL BUILDING PLAN AT
MOUZA - KAMARPARA, J.L. NO. - 131,
DAG NO. - 605/1147, 606, 607, I.R.
KHATIAN NO.- 827, 1094, 1150, 1213. POST
OFFICE - DARANDHA, POLICE STATION -
ILLAMBAZAR, GP - ILLAMBAZAR,
SUB REGISTRY OFFICE - BOLPUR,
DIST. - BIRBHUM

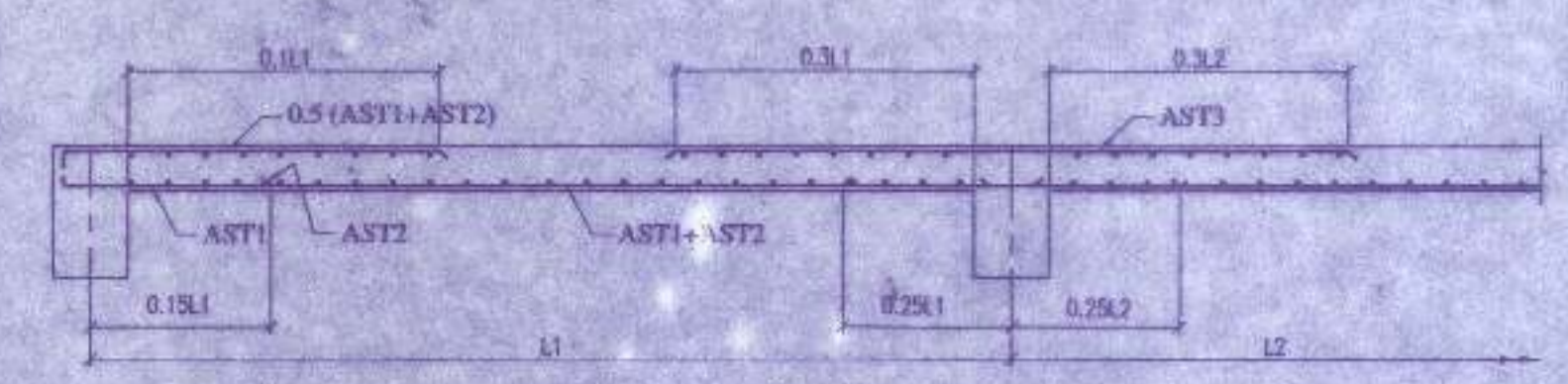
- NOTES:**
1. ALL DIMENSIONS ARE IN mm. U.N.O.
 2. GRADE OF CONCRETE SHALL BE M25.
 3. GRADE OF REINFORCEMENT SHALL BE Fe500.
 4. CLEAR COVER TO REINFORCEMENT SHALL BE
 - a) FOR FOUNDATION / FOUNDATION BEAM = 50mm.
 - b) FOR THE BEAM / COLUMN = 40mm.
 - c) FOR BEAMS = 25mm.
 - d) FOR SLAB / LIFT WALL = 20mm.
 5. MIX OF P.C.C. SHALL BE 1:3:6
 6. LAP/BOND LENGTH SHALL BE 50D WHERE D IS THE DIAMETER OF BAR.



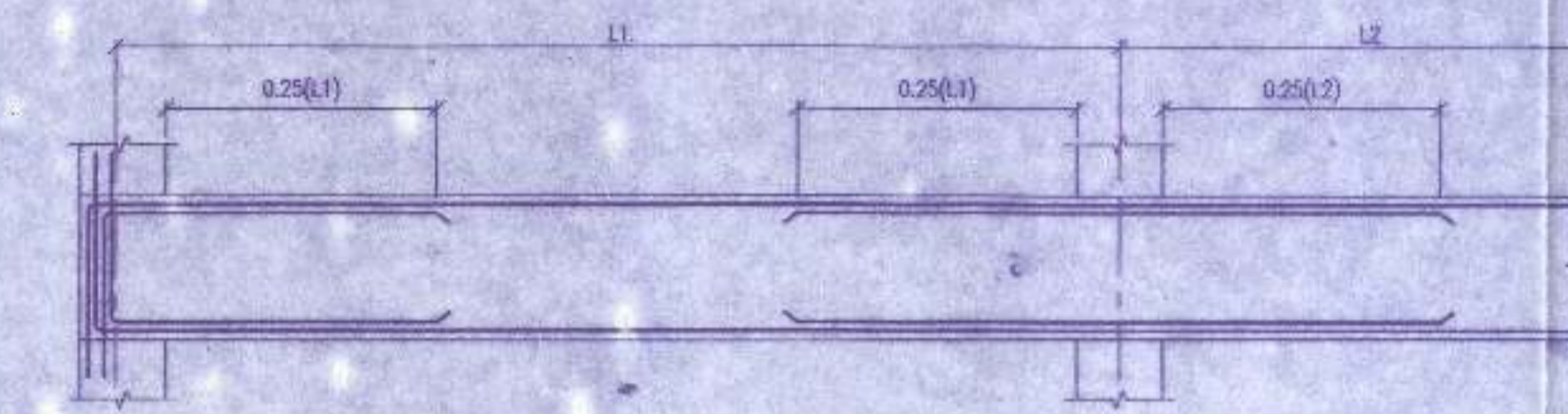
ANCHORAGE OF BEAM BAR IN AN EXTERNAL JOINT
 (Ld = 50 X DIA. OF BAR, Db = DIA. OF BAR)
 SCALE-1:25



C/S OF COL. SC (250X350)
 SCALE-1:10



TYPICAL LONG SECTION OF FLOOR SLAB
 SCALE-1:25



TYPICAL LONG SECTION OF BEAM SHOWING CURTAILMENT OF BAR.
 SCALE-1:25

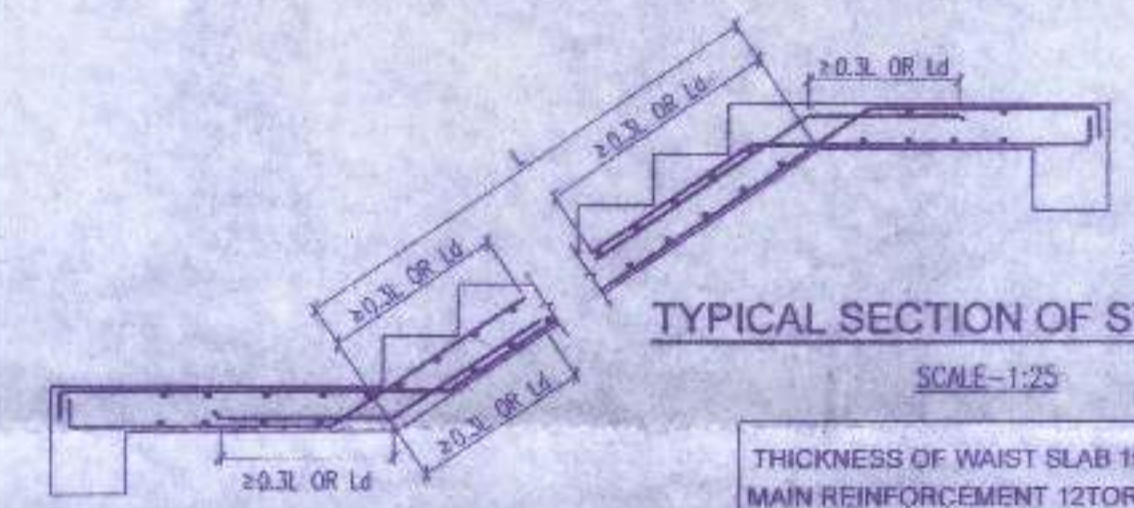
SCHEDULE OF SLABS

SLAB THICKNESS (MM.)	SHORT BAR		LONG BAR	
	TOP OVER SUPPORT	BOTTOM AT SPAN	TOP OVER SUPPORT	BOTTOM AT SPAN
100	8TOR @150C/C	8TOR @150C/C	8TOR @175C/C	8TOR @200C/C
125 (DROF)	8TOR @175C/C	8TOR @175C/C	8TOR @175C/C	8TOR @175C/C
125	10TOR @125C/C	10TOR @125C/C	8TOR @200C/C	8TOR @200C/C

PROVIDE DISTRIBUTION 8TOR @ 200 C/C WHERE NECESSARY

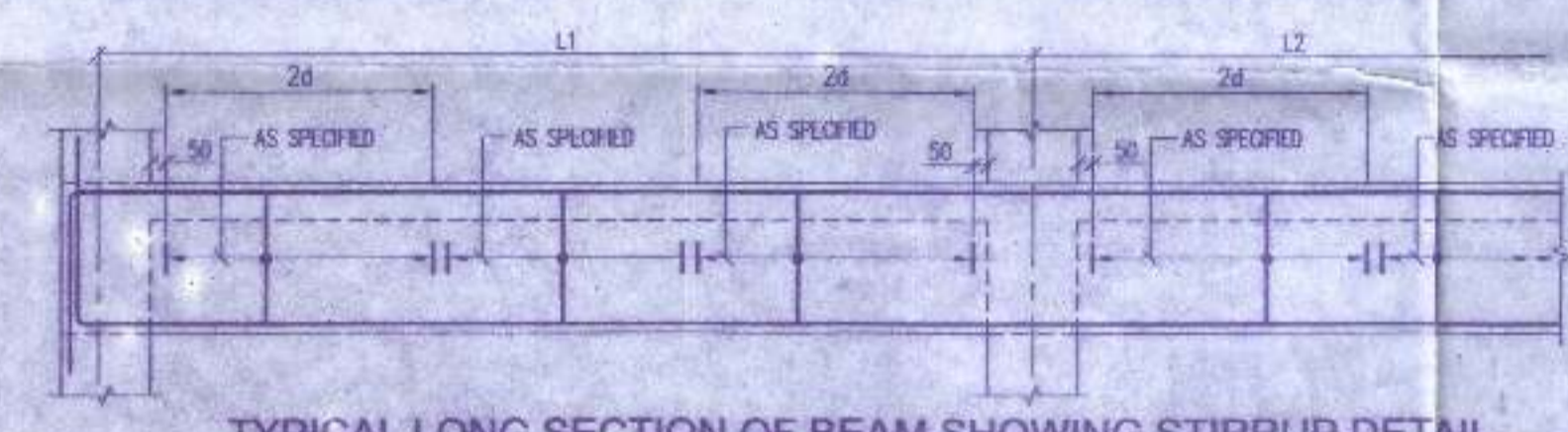
SCHEDULE OF BEAMS

BEAM MKD.	SIZE	AT SUPPORT		AT SPAN		STIRRUPS	
		TOP	BOTTOM	TOP	BOTTOM	SUPPORT	SPAN
B1	300 X 500	2-16TOR + 1-12TOR + 2-12TOR	3-16TOR	2-16TOR + 1-12TOR	3-16TOR	2L-8TOR @100C/C	2L-8TOR @175C/C
B2	300 X 500	3-16TOR + 3-16TOR	3-16TOR	3-16TOR + 2-12TOR	3-16TOR	2L-8TOR @100C/C	2L-8TOR @175C/C
B3	300 X 500	3-20TOR + 2-20TOR	3-20TOR	3-20TOR + 2-16TOR	3-20TOR	2L-8TOR @100C/C	2L-8TOR @150C/C
B4	300 X 500	3-20TOR + 3-20TOR	3-20TOR	3-20TOR + 2-20TOR	3-20TOR	2L-10TOR @100C/C	2L-10TOR @200C/C
B5	250 X 500	3-20TOR + 2-20TOR	3-20TOR	3-20TOR + 2-16TOR	3-20TOR	2L-8TOR @100C/C	2L-8TOR @150C/C
B6	250 X 500	2-16TOR	2-16TOR	2-16TOR	2-16TOR + 1-12TOR	2L-8TOR @100C/C	2L-8TOR @150C/C
B7	300 X 500	3-20TOR + 2-20TOR	3-20TOR	3-20TOR + 2-16TOR	3-20TOR	2L-8TOR @100C/C	2L-8TOR @175C/C
B8	300 X 500	3-20TOR + 3-20TOR	3-20TOR	3-20TOR	3-20TOR	2L-10TOR @100C/C	2L-10TOR @100C/C
B9	250 X 500	3-16TOR + 2-16TOR	3-16TOR	3-16TOR + 2-16TOR	3-16TOR	2L-8TOR @100C/C	2L-8TOR @100C/C
B10	250 X 500	2-16TOR + 2-16TOR	2-16TOR	2-16TOR + 2-16TOR	2-16TOR	2L-8TOR @100C/C	2L-8TOR @100C/C

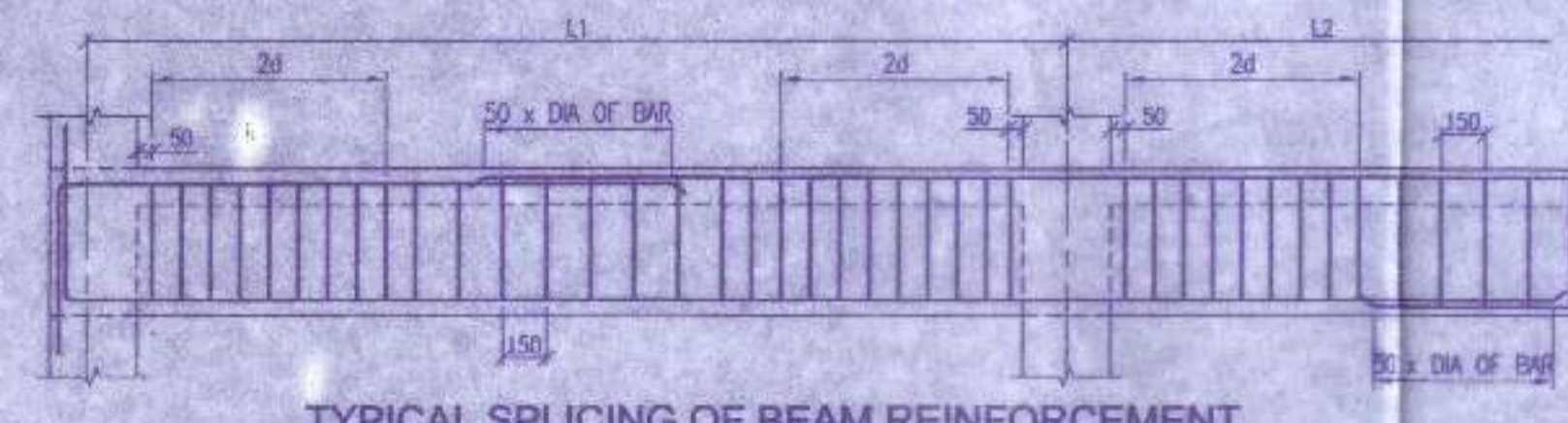


TYPICAL SECTION OF STAIRCASE
 SCALE-1:25

THICKNESS OF WAIST SLAB 150 MM
 MAIN REINFORCEMENT 12TOR @ 125C/C
 DISTRIBUTION 8TOR @ 200C/C

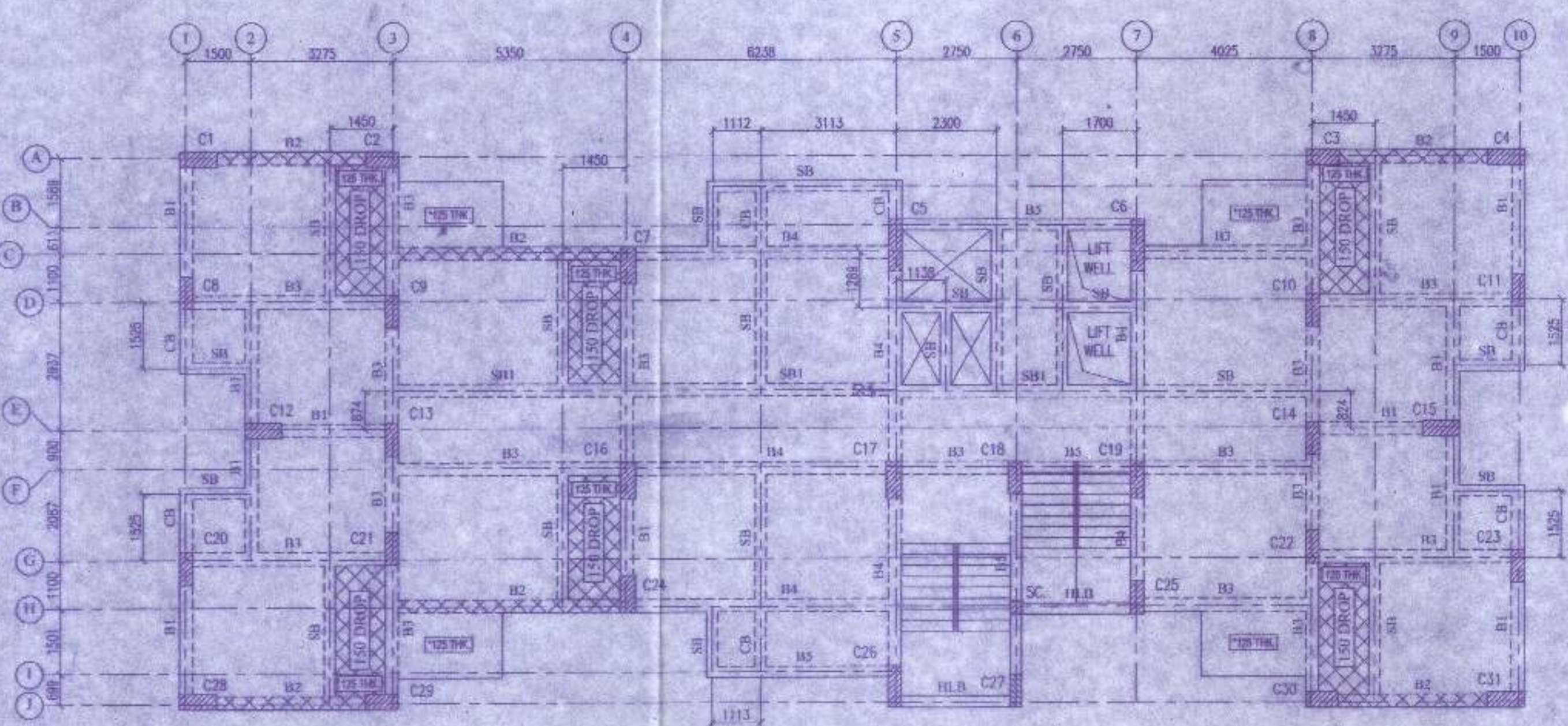


TYPICAL LONG SECTION OF BEAM SHOWING STIRRUP DETAIL.
 (d = EFFECTIVE DEPTH OF BEAM)
 SCALE-1:25



TYPICAL SPLICING OF BEAM REINFORCEMENT.
 SCALE-1:25

1. SHALL NOT BE WITHIN A JOINT.
2. SHALL NOT BE WITHIN 2d FROM FACE OF COLUMN.
3. SHALL NOT BE WITHIN QUARTER LENGTH OF MEMBER.
4. SHALL NOT BE AT HALF LENGTH OF MEMBER FOR BOTTOM BAR.
5. SHALL NOT BE MORE THAN 50% AT A SECTION.



TYP. FLOOR SHUTTERING PLAN
 (ALL PANELS ARE 100 THK U.N.O.)
 SCALE-1:100

Checked & Verified
 Dr. Rajendra Kumar
 B.E., M.E. (Structural Engg.), Ph.D. (Engg.)
 Associate Professor
 Construction Engg. Department
 Jadavpur University, Kolkata-700098

SIGNATURE OF PANCHAYET PRADHAN

Narayan Chandra Prasad
 Signature

SIGNATURE OF OWNER

Jayanta Majumdar
 JAYANTA MAJUMDAR
 B.E., M.E., M.T.G.S.
 Geotechnical Engineer
 G.T/1/13

K. Sengupta
 KUSHIK SENGUPTA
 B.E. (CIVIL), M.E. (STRUCTURE)
 51/2 MAHAJATI NAGAR, BIRATI
 KOLKATA-700031

SIGNATURE OF STRUCTURAL ENGINEER

Anupam Maiti
 ANUPAM MAITI
 C.O.A. Registered Architect
 CA201048339
 anupam.maiti@ceal.org

SIGNATURE OF ARCHITECT

PROJECT: MOZAIK	
P-521, RAJA BASANTA ROY RD, KOLKATA-29	
PH. NO. - 033-4067004/883116/14	
STRUCTURAL DRAWING (SUPERSTRUCTURE DET.)	TYPE - 2A, BLOCK - 72
SCALE - 1:100, 25, 10	DATE - 06-07-19
KUSHIK SENGUPTA 51/2 MAHAJATI NAGAR, BIRATI KOLKATA-700031	SHEET - 2